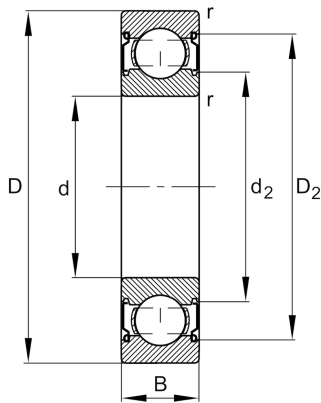
**FAG****6200-C-2Z**

Deep groove ball bearing

Schaeffler ID:
0956624210000

Deep groove ball bearing 62...-C-2Z, single row, Generation C, shields, steel sheet metal cage

Technical information

**Dimensions**

r_{\min}	0.6 mm	Minimum chamfer dimension
D_2	25.7 mm	Caliber diameter outer ring
d_2	15.1 mm	Caliber diameter inner ring
	0.03 kg	Weight

Main Dimensions & Performance Data

d	10 mm	Bore diameter
D	30 mm	Outside diameter
B	9 mm	Width
C_r	7,000 N	Basic dynamic load rating, radial
C_{0r}	2,600 N	Basic static load rating, radial
C_{ur}	181 N	Fatigue load limit, radial
n_G	34,500 1/min	Limiting speed
n_{gr}	26,000 1/min	Reference speed

Mounting dimensions

$d_{a\min}$	14.2 mm	Minimum diameter shaft shoulder
$D_{a\max}$	25.8 mm	Maximum diameter of housing shoulder
$r_{a\max}$	0.6 mm	Maximum fillet radius

Calculation factors

f_0	12	Calculation factor
-------	----	--------------------

Temperature range

T_{\min}	-20 °C	Operating temperature min.
T_{\max}	120 °C	Operating temperature max.

